

Cavity Pressure Sensor

2000 bar

DPPC DS04.0

Features

- For direct measuring
- Measuring range 0...2000 bar
- Connector thread M4 x 0,35
- Sensor diameter 4 mm



Technical Data

Method	Piezo electric; quartz
Range	0...2000 bar
Overload	2500 bar
Nom. sensitivity	
DPPC DS04.0-5.0	-5,0 pC/bar ± 2%
DPPC DS04.0-9.4	-9,4 pC/bar ± 2%
DPPC DS04.0-9.4/CS	-9,4 pC/bar ± 1%
Linearity	< 1% FS
Natural frequency	> 100 kHz
Insulation resistance at 20°C	>10 ¹² Ω
Insulation resistance at 200 °C	>10 ¹¹ Ω

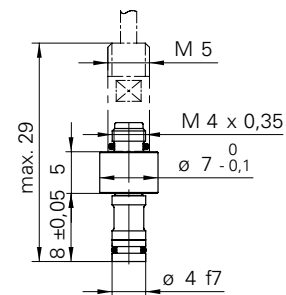
Mechanical Data

Connector thread	M4 x 0,35
Material enclosure	Stainless steel

Environmental Conditions

Operating temp. range	0...+200 °C
Storage temperature	-40...+200 °C
Melt temperature (at sensor front side)	< +400 °C
Protection incl. connector	IP 65

Dimensions (mm)



Delivery Contents

- Special nut DZPC MN04
- Calibration sheet

Order Code

DPPC DS04.0-/

Option

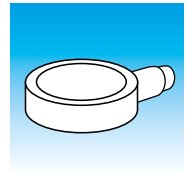
TP = Turning protection

CS1 = Uniform sensitivity 1%

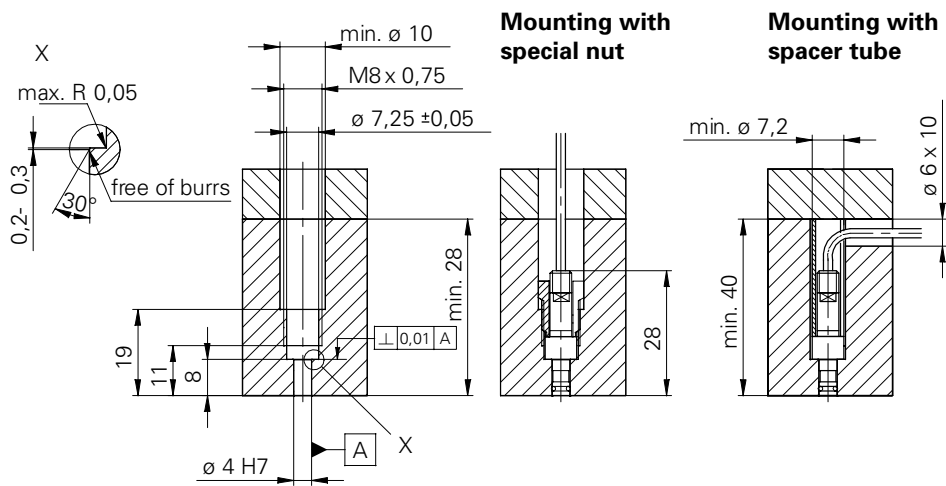
Nominal sensitivity

5.0 = -5,0 pC/bar

9.4 = -9,4 pC/bar



Mounting Dimensions



Accessories

Sensor Cable

- DZCC xxxx-ST-MF
- DZCC xxxx-HT-MF

Mounting Accessories

- DZPC MN04
- DZPC MWPT
- DZPC MT04

Description

- Special nut
- Mounting wrench
- Spacer tube